



Form 16574832  
Edition 1  
July 2005

## Air Sump Pumps

P237A1-EU and P237A3-EU

---

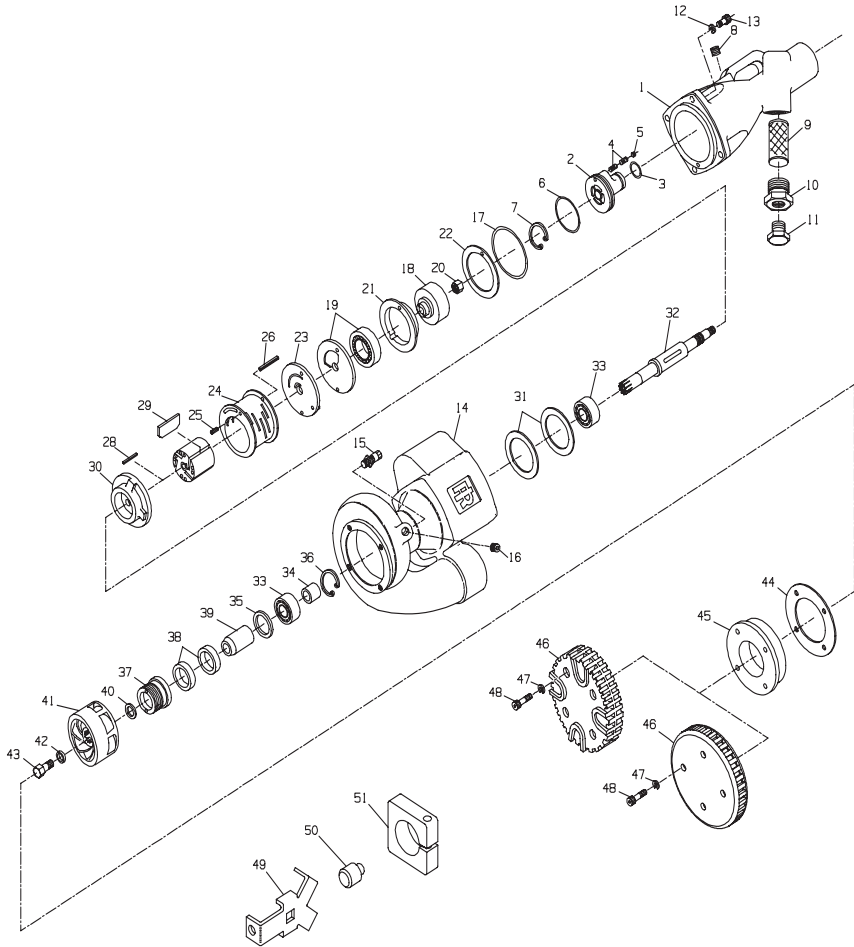
# Parts Information



**Save These Instructions**



**P237A1-EU and P237A3-EU Sump Pump Exploded Diagram**



(Dwg. TPA1183-2)

**P237A1-EU and P237A3-EU Sump Pump Parts List**

Item	Part Description	Part Number	Item	Part Description	Part Number
1	Backhead Assembly	P237-A102	40	Impeller Shim (as required)	
2	Oiler Body Assembly	88HL60-A198		.010" thick	P25-151-10
†*	Oiler Body O-Ring (Small)	88L60-103		.025" thick	P25-151-25
†	Oiler Felt (2)	R1-75	41	Impeller	P225-143
5	Oiler Adjusting Screw	R1-71A	42	Impeller Retaining Washer	P225-157
†*	Oiler Body O-Ring (Large)	WFS182-210	43	Impeller Retaining Screw	P225-156
7	Oiler Body Retainer	88HL60-298	44	Impeller Cover Shim (as required)	
8	Oil Chamber Plug	R2-227		.003" thick (green)	P225-145-3
†	Air Strainer Screen	P25-61A		.005" thick (blue)	P225-145-5
10	Air Strainer Cap	P25-268		.010" thick (brown)	P225-145-10
11	Air Strainer Plug	P25-536		.015" thick (pink)	P225-145-15
12	Backhead Lock Washer (4)	34U-58		.025" thick (white)	P225-145-25
13	Backhead Cap Screw (4)	834-638	45	Impeller Cover	P225-144
14	Housing		46	Inlet	P225-148
	U.S. Standard 2 1/2" Pipe Tap Discharge		47	Impeller Cover Lock Washer (4)	P225-67
	for P237A1-EU	P237-EU-A40	48	Impeller Cover Cap Screw (4)	P225-146
	British 2 1/2" Pipe Tap Discharge		49	Controller Wrench	99V60-950
	for P237A3-EU	P237-EU-A240	50	Seal Pressing Tool for Controller	99V60-951
15	Grease Fitting	23-188	51	Bearing Clamp to release Controller	99V60-A952
16	Housing Plug	R2-227	42	Impeller Retaining Washer	P225-157
†*	Housing Seal	P226-283A	*	Nameplate	P25-EU-99
18	Controller Assembly	99V77-A524	*	Nameplate Screw (4)	PS251-302
19	Rotor Bearing Seal Assembly	99V60-A28A	*	Perforated Bottom Plate	P225-147
20	Controller Retaining Nut	G8-120A	*	Exhaust Hose Assembly	P225-A184
21	Rotor Bearing Cage	99V60-107A	*	Exhaust Hose	P25-184
†*	Rear End Plate Gasket	99V60-739	*	Exhaust Hose Nipple	P35-46
23	Rear End Plate	99V60-A12	*	Air Strainer Nipple	P25-200
24	Cylinder Assembly	99V60-A3	*	Air Inlet Valve	C10-283
25	End Plate Dowel	5040-6	*	Muffler	R21-674
26	Cylinder Dowel	502B-120	+ *	Discharge Hose (50 feet of 2-1/2" Hose with male and female Coupling)	P25-182-50
27	Rotor	99V60-53			
†	Rotor Key	R43F-70	+ *	Discharge Hose (50 feet of 2-1/2" Hose with female coupling)	P25-181-50
†*	Vane Packet (set of 4 Vanes)	99V60-42-4			
30	Front End Plate	99V60-11	+ *	Fire Hose Adapter (for connecting Discharge Hose with Expansion Ring Coupling to Pump)	P25-183
31	Motor Clamp Washer (2)	99V60-207			
32	Rotor Shaft	P226-204			
33	Shaft Bearing (2)	G57E-24	+ *	Air Inlet Hose Nipple (1" hose to 1" male pipe)	P35-46
34	Bearing Spacer	P226-265			
35	Seal Spacer	P226-100	*	Grease Gun	P25-228
36	Housing Snap Ring	S12-118			
37	Water Seal Cap Assembly	P226-A115			
†	Water Seal (2)	P225-153			
39	Impeller Spacer	P225-152			

† Indicates Tune-up Kit part.

\* To keep downtime to a minimum, it is desirable to have on hand certain repair parts. We recommend that you stock one (pair or set) of each part indicated by a bullet (\*) for every four tools in service.

\* Not illustrated.

+ For use with U.S. Pipe Tap.

---

**P237A1-EU and P237A3-EU Sump Pump Parts List**

---

Item	Part Description	Part Number	Item	Part Description	Part Number
*	1" Pipe Line Valve	RC5-160	*	Kit (includes 99V60-950, 99V60-951 and 99V60-A952)	99V60-K950
*	Discharge Nipple	P25-135			
*	Expanding Coupling	P25-190	*	Tune-up Kit (includes illustrated parts 3, 4 [2], 6, 9, 17, 22, 28, 29 and 38 [2])	226-TK1
*	Blank Adapter	P25-192			
*	Pipe Line Connector	R44-115			

\* Not illustrated.

---

**Parts and Maintenance**

When the life of the tool has expired, it is recommended that the tool be disassembled, degreased and parts be separated by material so that they can be recycled.

Tool repair and maintenance should only be carried out by an authorized Service Center.

Refer all communications to the nearest **Ingersoll-Rand** Office or Distributor.

---

**Related Documentation**

For additional information refer to:  
Air Sump Pumps Product Safety Information Manual 16576597,  
Air Sump Pumps Product Information Manual 04585154,  
Air Sump Pumps Maintenance Information Manual 16575458.

Manuals can be downloaded from [www.irtools.com](http://www.irtools.com).



[www.irtools.com](http://www.irtools.com)

© 2005 Ingersoll-Rand Company